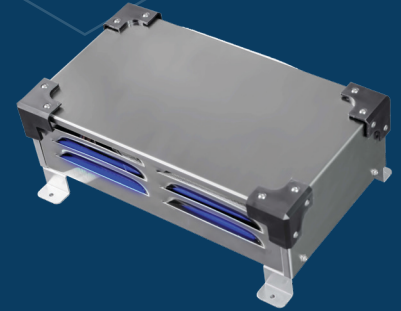









TRANSPORTATION AIR PURIFIER

Transit Guardian

The ActivePure Transit Guardian (External) is designed to be mounted on the wall, ceiling, or floor of a public transport vehicle. Transit Guardian is the perfect air and surface pathogen protection solution for school buses and student transportation. The Transit Guardian provides 24/7/365 protection against 99.99% of common airborne and surface contaminants (**full list of tested pathogens can be found by visiting sanalifewellness.com/labtesting**).



FEATURES + SPECIFICATIONS

-  In-vehicle coverage up to 350 ft² (31 m²) depending on occupant density and other factors. Not for use in medical or health care environments.¹
-  Meets the strict ozone emissions limits set by the California Air Resources Board (CARB Certified) and UL 507.
-  Up to 50 CFM
(1-speed brushless motor)
-  5" H x 13" W x 7.5" D
(12 cm x 33.02 cm x 19.05 cm)
-  Model: B101B
SKU: 00775
-  5.3 lbs (2.4 kg)
-  Input Voltage:
12~14 VDC
-  Installs on vehicle
ceilings, walls, & floors.



Powered By **ActivePure**

ActivePure air purifiers continuously distributes "air-scrubbing" molecules (hydroxyl radicals) throughout and entire space to reduce airborne and surface contaminants.



Backed By Science

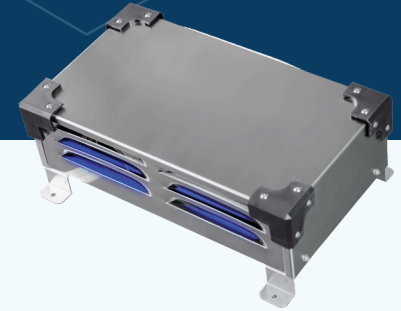
ActivePure is backed by real-world and laboratory testing. ActivePure is proven to reduce up to 99.99% of many airborne and surface contaminants.



¹ActivePure® does not replace the need to follow CDC guidance and should be used as a complementary technology.

TRANSPORTATION AIR PURIFIER

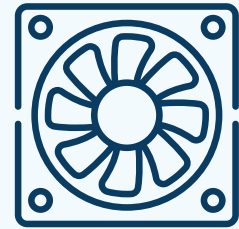
Transit Guardian



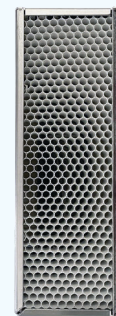
PROVEN BY EFFICACY TESTING

In extensive independent lab testing, ActivePure® Technology has been proven to significantly reduce the following pathogens and contaminants: **(full list of tested pathogens can be found by visiting sanalifewellness.com/labtesting).**

- SARS-CoV-2 – RNA Virus
- H1N1 Influenza
- H5N8 Influenza
- Murine Norovirus
- PhiX-174
- MS2 Bacteriophage
- MRSA
- E. Coli
- Salmonella Enterica
- Legionella Pneumophila
- Clostridium Difficile
- Bacillus Globigii
- Erwinia Herbicola
- Listeria Monocytogenes
- Candida Auris
- Botrytis Cinerea
- Sclerotinia Sclerotiorum
- Aspergillus Niger Endospores
- Metchicillin-Resistant
- Staphylococcus Epidermis
- Staphylococcus Epidermidis



Wipe Down, Clean Fan Intake And Exhaust (As Needed)*



ActivePure® Technology Cell Replacement (24 Months)*

TRANSIT GUARDIAN BENEFITS

The ActivePure Transit Guardian (External) provides continuous surface decontamination and air purification in real-time without the use of ozone or other harmful chemicals. It is a proactive, and effective solution for your school buses and student transportation.

- Installs directly to the wall, ceiling, or floor of vehicles.
- Easy to use and low maintenance.
- Continuous 24/7 operation.
- Proven effective against common viruses, bacteria, molds, and fungi.
- Reduces smoke, allergens, odors, and VOCs.

3 Year Limited Warranty (Terms & Conditions Apply)

1. Recommended maximum coverage in a contiguous space: Assumes 8 foot ceilings. Solutions should be customized based upon a variety of factors including HVAC system capabilities and settings, air flows taking into account walls, air pressure, and doors, ambient air temperatures and humidities, variable density, known VOC concentrations, other layers of protection, and worst case desired outcomes.

*General recommended replacement guidelines. Frequency is dependent on occupancy density, and indoor environmental conditions. Systems may require more frequent servicing.